

# Euro Profile Cylinders

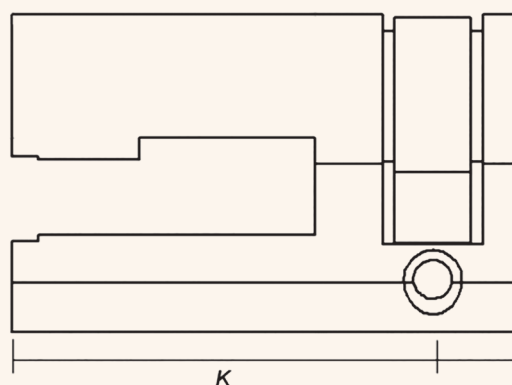
Wsp

Conversion cylinders for use with most Euro cylinder locks



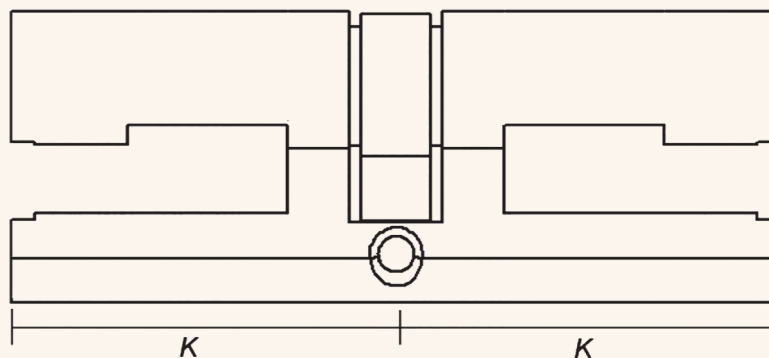
## 8E7E4 Single Euro Profile Cylinder

- 94024333 8E7E4 EURO SINGLE (K43/10) 53mm
- 31831659 8E7E4 EURO SINGLE CYL (K63/10) 73mm
- 41516577 M5-8E7E4 EURO SINGLE (K43/10) 53mm  
*\*for use with Exidor panic hardware*



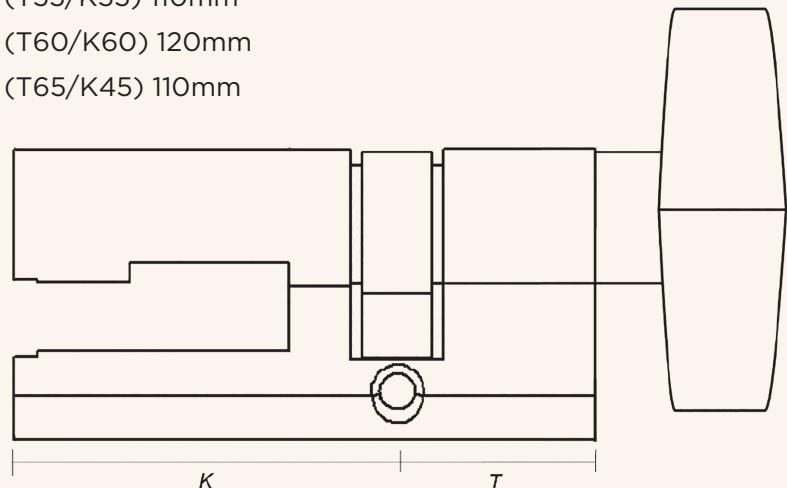
## 8E7E5 Double Euro Profile Cylinder

- 52167058 8E7E5 EURO DOUBLE CYLINDER (K43/K43) 86mm
- 55534024 8E7E5 EURO DOUBLE OFFSET (K45/K55) 100mm



## 8E7E6 Euro Key & Turn Cylinder

73589143	8E7E6-360 EURO TURN (T42/K45) 87mm
75617776	8E7E6-360 EURO TURN (T42/K60) 102mm
91279941	8E7E6-360 EURO TURN (T42/K65) 107mm
13757823	8E7E6-360 EURO TURN (T45/K55) 100mm
71119649	8E7E6-360 EURO TURN (T50/K50) 100mm
30048089	8E7E6-360 EURO TURN (T50/K55) 105mm
92396944	8E7E6-360 EURO TURN (T50/K60) 110mm
32730753	8E7E6-360 EURO TURN (T50/K65) 115mm
47763227	8E7E6-360 EURO TURN (T55/K45) 100mm
76822919	8E7E6-360 EURO TURN (T55/K50) 105mm
26613475	8E7E6-360 EURO TURN (T55/K55) 110mm
25559408	8E7E6-360 EURO TURN (T60/K60) 120mm
71137704	8E7E6-360 EURO TURN (T65/K45) 110mm

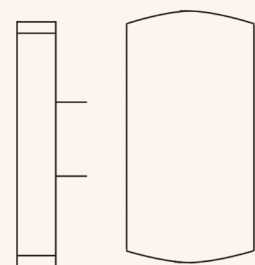


## 8E7E6-CR Classroom Key & Turn Cylinder

Known as a classroom or 'one way turn' cylinder, this can be locked or unlocked with the key externally, but can only be unlocked with the turn from the inside (not locked), preventing unauthorized persons locking internally and preventing access.

21285585	8E7E6-CR-ACW CLASSROOM EURO (T42/K45) 87mm
48573736	8E7E6-CR-CW CLASSROOM EURO (T42/K45) 87mm

## TB Turnbar Option



TB option is available for all 8E7E6 and 8E7E6-CR variants.

Cylinders have been in a successful fire test for 30 & 60 minute timber doorsets.

Where lock cases other than WSP are used it is the specifier's responsibility to ensure compatibility with the cylinder.